

## Digital Multi-Meter

Part numbers: GNM3TD (rs485)



### Electrical specifications

<b>Power Consumption</b>	Aux. Power Supply 90 - 460v
<b>Base current</b>	5 A
<b>Maximum current (continuing)</b>	6 A
<b>Minimum current</b>	0.25 A
<b>Start up current</b>	0.02 A
<b>Working voltage</b>	208 - 400V ac,
<b>Frequency</b>	50Hz (in case of MID certification) 45-65 Hz
<b>Accuracy class</b>	Active energy: Class 1 (EN62053-21) / Class B (EN50470-3) Reactive energy: Class 2 (EN62053-23)

### Environmental specifications

<b>Working temperature</b>	From -25 to +55 °C/from -13 to +131 °F (in case of MID certification) From -25 to +65 °C/from -13 to +149 °F From -30 to +80 °C/from -22 to +176 °F
<b>Storage temperature</b>	From -30 to +80 °C/from -22 to +176 °F
<b>R.H.:</b>	From 0 to 90% non-condensing @ 40°C)
<b>Environment</b>	Intended for Indoor use only.

### Output specifications

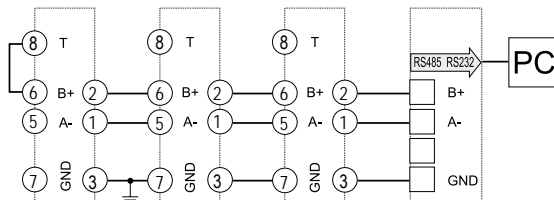
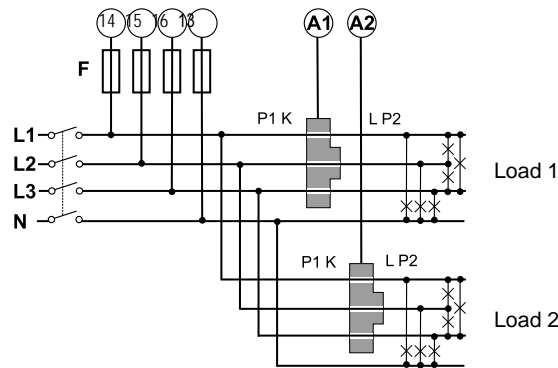
<b>Pulse output</b>	1000 impulses/kWh. Proportionate to measured active energy (EN62052-31) Configurable
<b>Modbus RS485 port output</b>	Modbus RTU protocol
<b>M-Bus port output</b>	M-Bus protocol, (EN13757-1)

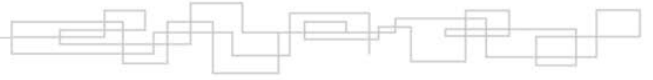
### LED specifications

<b>Pulse weight</b>	1000 impulses/kWh (EN50470-3, EN62052-11)
<b>Duration</b>	90 ms
<b>Color</b>	Red and orange

### General features

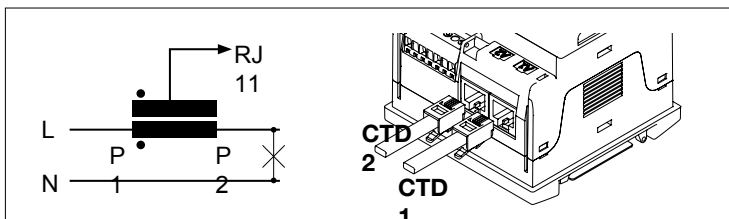
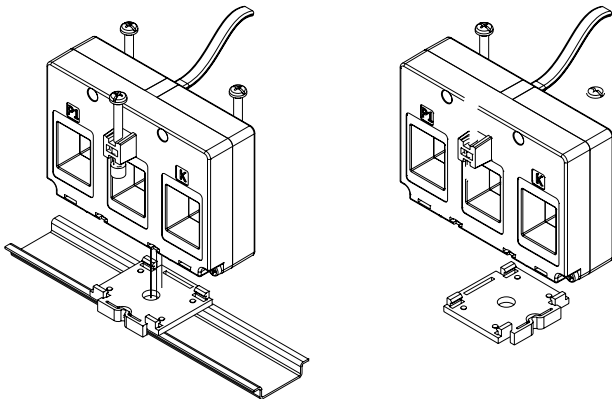
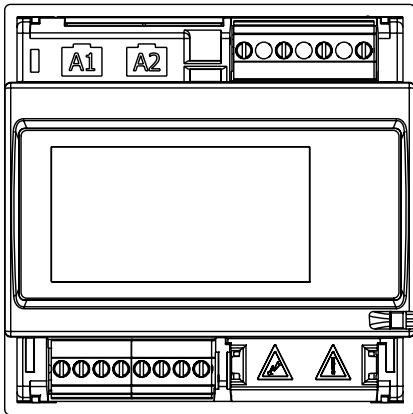
<b>Terminals</b>	1 - 18 section 1.5mm <sup>2</sup> , torque 0.25 Nm, E111 x 2
<b>Protection grade</b>	Front: IP40, terminals: IP20





## Digital Multi-Meter CT

Part numbers: GNT160, 250, 630



Parameter	GNT160	GNT250	GNT630
Max. Primary Current (A)	160	250	630
Colour	Grey	Grey	Grey
Weight (kg)	0.2	0.25	0.3
Width (mm)	72	105	135
Height (mm)	72	72	78
Depth (mm)	67	50	50
Fixing	Din or Plate		
Connection	RJ11		
Standard	EN61869-1		



Dokument/document		Utgåva datum/edition date
Försäkran om överensstämmelse/ Declaration of conformity		2017-06-29
Avdelning/department Kvalitet/Quality		
Ansvarig/prepared	Version	Sida/page
Kent Andersson	4	1 av/of 1

**Manufacturerer/Tillverkare:** GARO AB  
Box 203  
S-335 25 GNOSJÖ  
Sweden

Telephone: +46 (0)370 33 28 00  
Telefax: +46 (0)370 33 28 50

**Agent established within EC/Ombud etablerad inom EG**

Telephone:  
Telefax:

**Agent of equipment/Materielslag:** Energy meter/energi mätare

**Trade Mark/Varumärke:** GARO

**Type Designation/Typbeteckning:** GNMI D.. -MBUS, ..-RS485, GNM3D.. -MBUS, ..-RS485, GNM3T..,

**We hereby declare that our product fulfils the requirements of following EC directives/**

Vi intygar härmed att vår produkt uppfyller krav enligt följande EU direktiv:

- The Low Voltage Directive (LVD) 2014/35/EU / Lågspänningsdirektivet (LVD) 2014/35/EU.  
 Electromagnetic compatibility (EMC) 2014/30/EU / Elektromagnetisk kompatibilitet (EMC) 2014/30/EU.  
 RoHS Directive (RoHS) 2011/65/EU / RoHS direktivet (RoHS) 2011/65/EU.  
 No electromagnetic compatibility (EMC 2014/30/EU) immunity or emission tests are required on the assembly / Produkten innehåller inte elektroniska apparater som påverkas enligt förbehållen enligt direktivet (EMC) 2014/30/EU.

**The following harmonised standards (latest edition) or technical specifications which comply with good engineering practice in safety matters in force within the EC have been used in the design:/**

Följande harmoniserade standarder (senaste utgåva) eller tekniska specifikationer som uppfyller god säkerhetsteknik praxis inom EG har använts i konstruktionen: EN 61869-1, EN 61869-3

- The equipment confirms completely with the above stated harmonised standards or technical specifications./  
Materielen överensstämmer helt med ovan angivna harmoniserade standarder eller tekniska specifikationer.

**Or/eller**

- The equipment confirms only partially with the above stated harmonised standards or technical specifications but complies with good practice in safety matters in force within the EC./  
Materielen överensstämmer endast delvis med ovan angivna harmoniserade standarder eller tekniska specifikationer, men uppfyller god säkerhetsteknisk praxis inom EG.

**We have product surveillance according to CENELEC's harmonised requirements, documents CCA-201.**

GARO AB  
Company/Företag

2017-06-29  
Date/Datum

Sign/Underskrift

Responsible for Technology and standardization/Teknik och standardiseringsansvarig  
Position/Befattning

Kent Andersson  
Sign in printed letters/Namnförtydligande